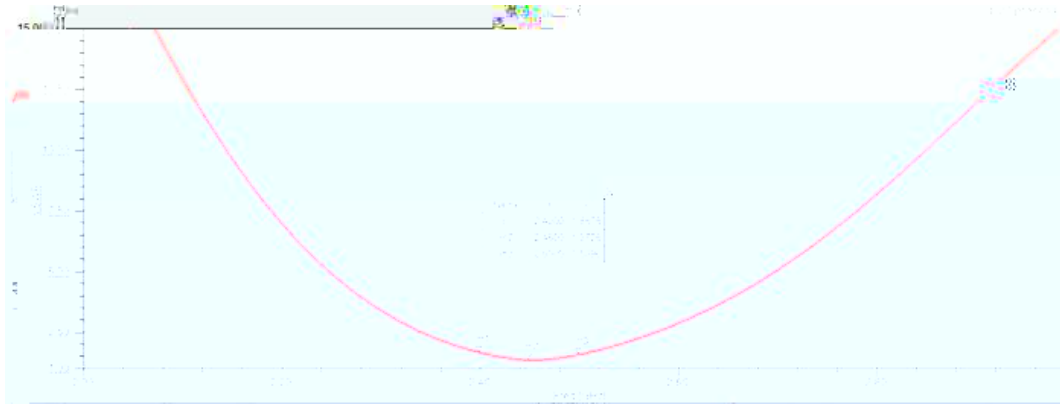






Ú! [ã~&c Ô@æ!æ&c^!iã•cã& Ô~!ç^



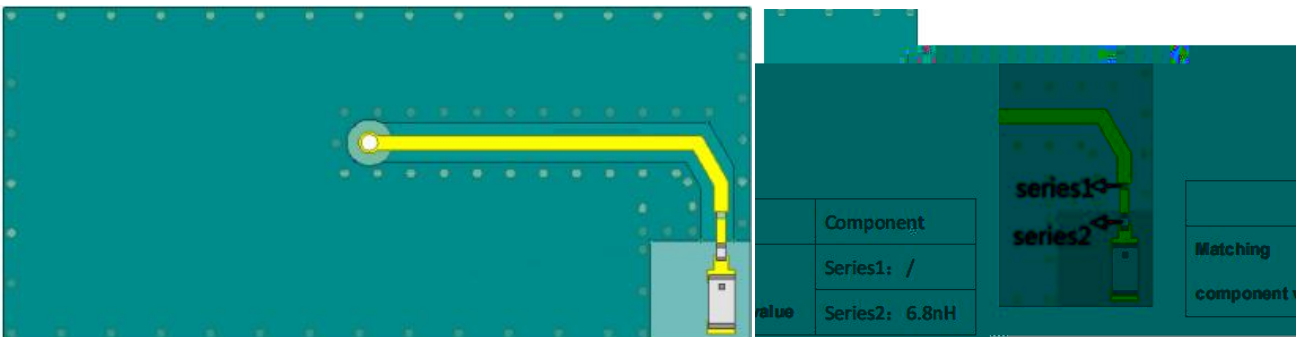
œ] ]^}ããç

ÚÓÓ

Ù~\*\*^•c^ã ÚÓÓ |æ^ [~çK

E

E-shaped outer electrode method products:



Ó[ ]}æ! ,æç^ \*~iã^ ]æ!æ { ^c^!• æ!^ •@ [ , } - [! Ü [\*^!• ÜU IH í€Ó , ìc@ c@iã\}^•• €É [€!†€€Hì { { È Ó [ ] } ^K FBG  
 UZÉ^æ&@ •iã^È Ø [! [c@^! { æ^!iæ}• c!æ&^ , ìãc@ B \*æ] { æ^ }^^ã c [ à^ { [ãi-ã^È

ÚÓÓ Ó [cc [ { •iã^ [- c@^ ]&à ì• & [ ]çì}~ [~• \*! [~}ã ]}æ}^È



ÚTUÓÓ ÚÓÓ

Ö^ [c^• ]&à & [ ] ]^! |æ^ [~c , ìc@ • { [ à&È ç• [ ]ã^! { æ•\ [ç^! àæ!^ & [ ] ]^!D

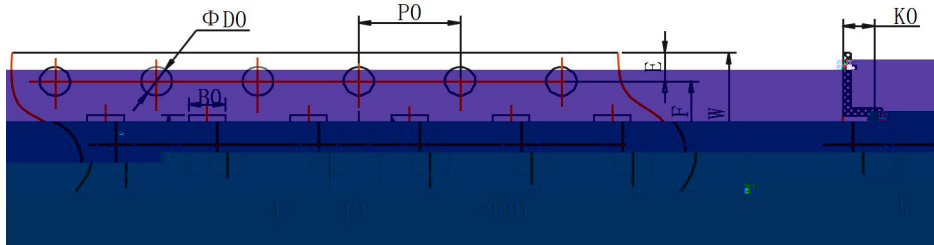
Ö^ [c^• & [ ] ]^! |æ}ã ]æcc^!} - ]^^ [- • [ ]ã^! { æ•^È

Úæ&\æ\*â}\*

Ò { à [ ••^â Væ]â } \*

G€FG HGFÎ

Ø [ : G€FG HGFÎ

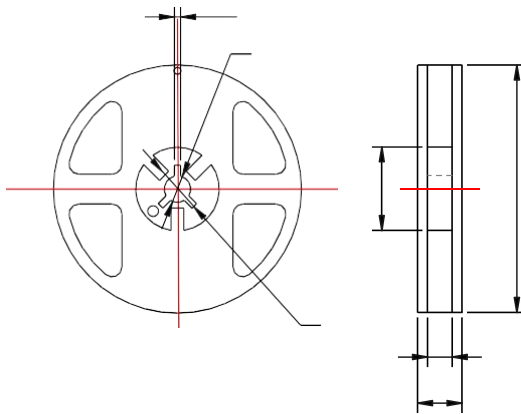


~}äck { {

V^] ^	œ€	ó€	γ	ø	ò	c
G€FG	G€HÍ†€É€€	F€Í††€É€€	ì€€€†€É€€	H€Í€†€€€Í	F€Í††€É€€	€€G††€€€Í
HGFÎ	H€Í€†€€€€	F€J€†€€€€	ì€€€†€€€€	H€Í€†€€€Í	F€Í††€É€€	€€G††€€€Í

V^] ^	ú	ú€	úF	ö€	öF	š€
G€FG	ì€€€†€É€€	ì€€€†€É€€	G€€€†€€€Í	F€Í€€€€€F€D€€	F€Í€†€€€€	F€€€†€€€€
HGFÎ	ì€€€†€É€€	ì€€€†€É€€	G€€€†€€€Í	F€Í€€€€€F€D€€	F€Í€†€€€€	F€G€†€€€€

Ü^∧|



~}äck { {

V^] ^	T	Y	V	œ	ó	ò	ö
G€FG HGFÎ	F€Í††G€€	FH€€†€€€Í	FÍ€Í†F€Í	G€€†€€€Í	FH€€†€€€Í	GF€€†€€€Í	Í†€€†G€€

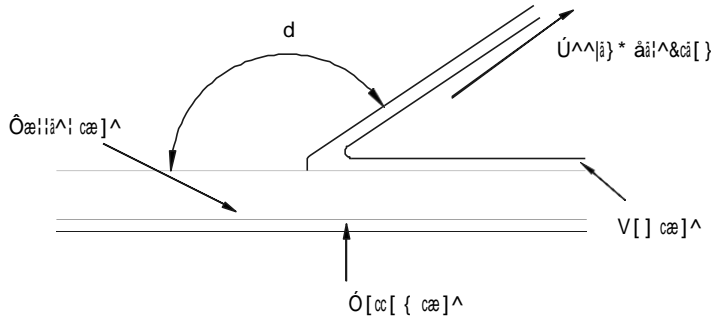
Væ]â } \* œæâ|æ^

V [ ] œæ] ^ ] ^∧ | •cl^ } \*c@

FFdî€\* €ÉFpdeÉİP H€€ { { D { â } É

Ú^∧ | •cl^ } \*c@ â • FFdî€\* €ÉÉFpdeÉİP D€É , æ@ • ] ^â [- H€€ { { D { â } Éæ } â • @ [ ~ ] â } [ c @ æç^ - ] æ • @ æ } â c^æ† æ-c^∧ | ] ^∧ | â } \*É

V<sup>∧</sup>•c { ^c@ [āk



Øj|c^! ā• -!^∧É } [ •cā&ā} \* c [ c [ ] cāe ] ^ æ} ā à [cc [ { cāe ] ^É

Øj|c^! ā• ^æ•^ c [ cāe ] ^ [ ^c -! [ { &æ!ā! cāe ] ^ æ} ā &@ā ] @ [ | ^ @æç^ ] [ { ^&@æ} ā&æ | āæ { æ\*^É

Úæ&\æ\*ā} \* Ú~æ}cāc^

Úæ&\æ*ā} * •c^ ] ^	Væ ] ^ B ] ^ ^	Óæ•^
V^ ] ^	G€FG HGFÍ	G€FG HGFÍ
Ú~æ}cāc^ç] &•D	mH€€€	mF€€€€

## LTCC

### LTCC Antenna Instructions for Use

**Application of the products in a special environment can deteriorate product performance:**

W•^ ā} çæ!ā [ ^ • c^ ] ^ • [ - | ā ~ āāÉ ā } & | ~ āā } \* , æc^!É [ ā ] •É &@^ { ā&æ | •É æ} ā [ i \*æ } ā& • [ ] ç^ ] c•É

W•^ [ ^cā [ [ ! • , @^!^ c@^ ] ] : [ ā ~ &c• æ!^ ^φ ] [ •^â c [ āā!^&c • ~ } | ā \* @cÉ [ ! ā } ā ~ • c^ ] | æ&^•É

W•^ ā } | | æ&^• , @^!^ c@^ ] ] : [ ā ~ &c• æ!^ ^φ ] [ •^â c [ •^æ , ā } ā • [ ! & [ ! : [ •āç^ \* æ•^•É ā } & | ~ āā } \* Ó | GÉ PGÙÉ Þ@HÉ ÙUGÉ æ} ā Þ [ G ^c&É

W•^ ā } | | æ&^• , @^!^ c@^ ] ] : [ ā ~ &c• æ!^ ^φ ] [ •^â c [ •cæcā& ^ | ^&c!ā&âc^ [ ! •c! [ ] \* ^ | ^&c! [ { æ\* } ^cā& , æç^•É

W•^ ā } | ] : [ çā { âc^ c [ @^æcÉ ] ] : [ ā ~ &ā } \* & [ { [ ] ] ^ } c•É ] | æ•cā& & [ ! ā •É [ ! [ c@^! - | æ { { æā!^ âc^ { •É

W•^ ā } ç [ ] çā } \* •^æ!ā } \* [ ! & [ æcā } \* c@^ ] ] : [ ā ~ &c• , âc@ !^•ā } [ ! [ c@^! & [ æcā } \* { æc^!āæ | •É

W•^ä}ç[[çä]\* ~|&|æ} •[|ä^! [! ~•^ [- ,æc^!É•[|~à|^ &|^æ}ä)\* æ\*^}c• -[! &|^æ}ä)\* æ-c^! •[ ])\*É

V@^•~ä•c!æc^ [- &@ä} æ}c^})æ æ!^ {æä}|^ æ|~ {ä}æ æ}ä \*|æ••É Ö!æ&\ • {æ~ [&&~! æc@^ &[ ])^æcä[ ] [- •[|ä^! ç•[|ä^! -ä||^c  
][!cä[ ]D ä~^ c[ c@^ ää--^!^)&^ [- c@^ &[^-ä&^}c [- c@^! {æ| ^ç}æ}ä[ ] -[ { æ { [~]cä)\* ä[æ!ä

